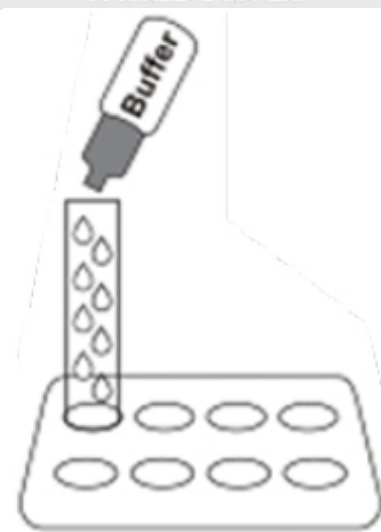


# COVID-19 SWAB TEST



**Step 1:** Place collecting tube into the tube stand upright.

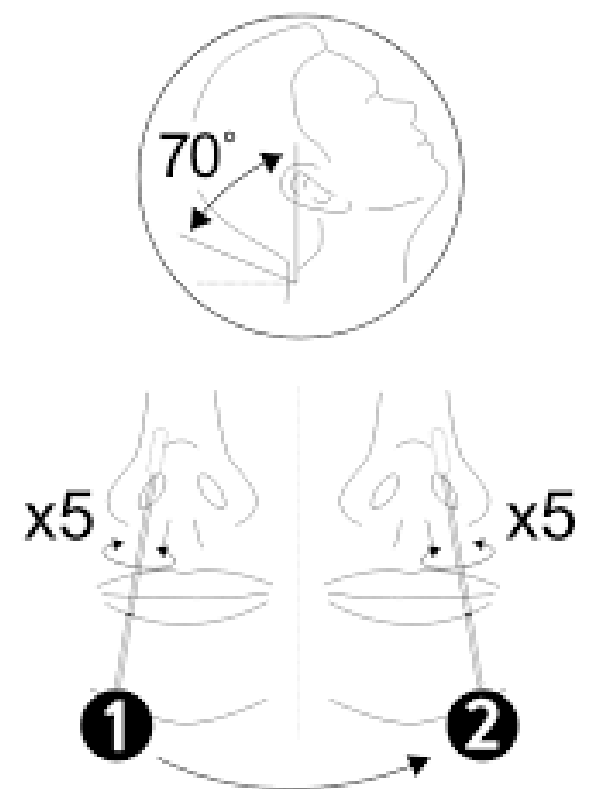
Mix buffer contents thoroughly, then empty entire contents using one of the single buffer vials into tube.



**Step 2:** Remove sterile swab from packaging. Tilt head back to 70 degrees.

Gently insert the sterile swab into the nostril lining up with the nasal septum/anterior nares (0.5 inches inside).

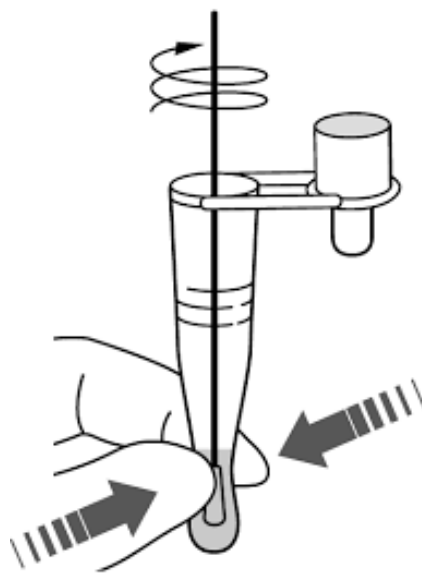
Using a circular motion insert the swab into both nostril's for a minimum of 5 seconds per side, making sure to use the same swab.



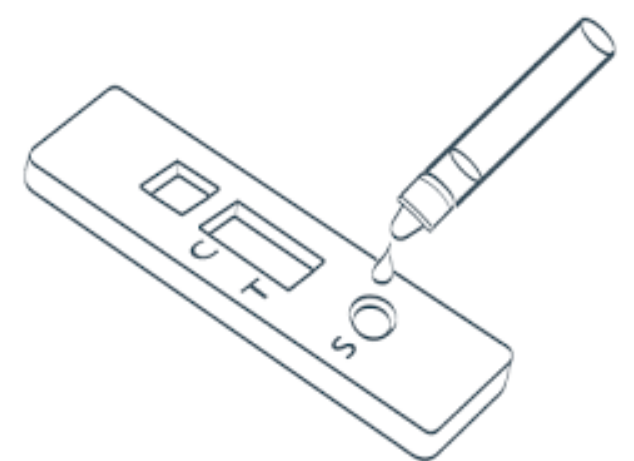
**Step 3:** Insert the swab into the collection tube, swirl the swab mixing well. Squeeze the swab 10-15 times by compressing the walls against the swab.

With the swab still inside the tube, securely place tube upright into stand. Leave in the solution for 2 minutes.

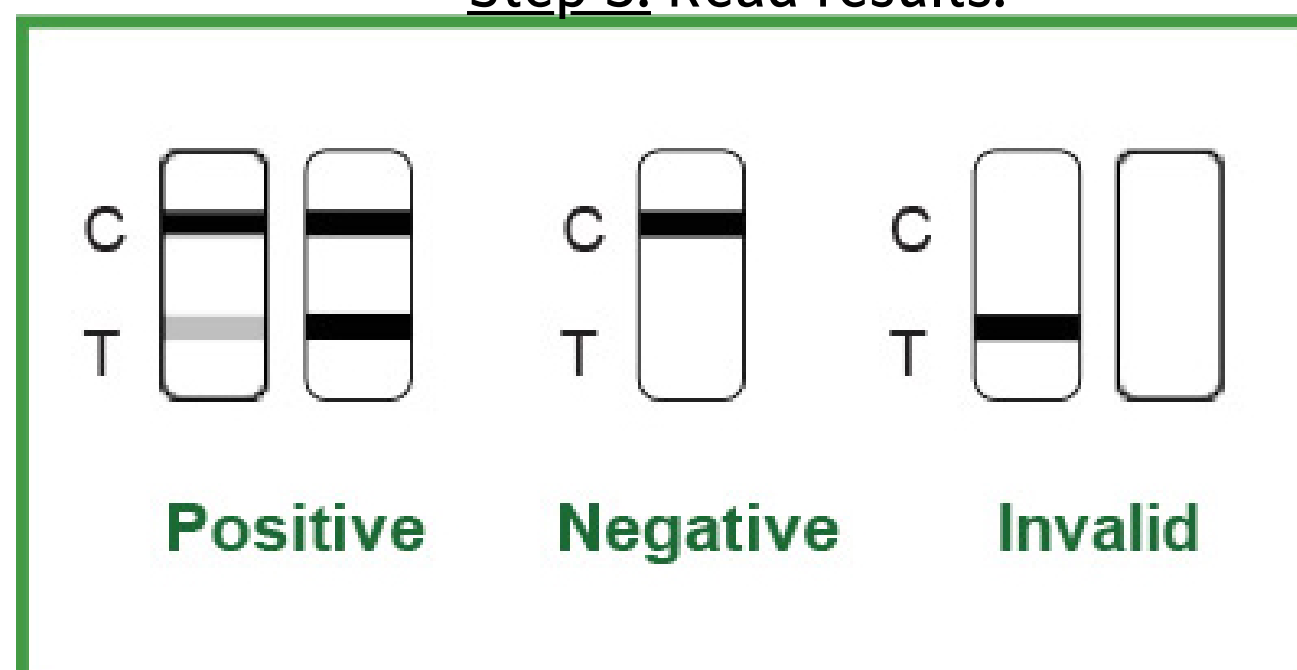
After 2 minutes remove the swab while pressing the swab head firmly against the wall of the tube, releasing as much liquid from swab. Carefully dispose of swab.



**Step 4:** Attach cap to collection tube. Invert the tube and add 3 drops of the solution into the test device, by gently squeezing the tube. Wait for coloured lines to appear. Read results at 15 minutes



**Step 5:** Read results.



FOR AN APPOINTMENT, CALL:

→ **(613)-967-3603** ←

<https://youtu.be/vjDRzrcEYRg>

# HOME RAPID TEST

## Thinking about using a rapid test?

### When to Use the Rapid Antigen Screening Kit:

- For people who choose to use rapid antigen screening kits, it is recommended to conduct the rapid antigen tests every 3-4 days until all five tests have been used.
- Rapid antigen screening kits are **ONLY** to be used when you are **asymptomatic** (i.e. does not have any symptoms of COVID-19 and has not had any exposure to a confirmed case of COVID-19).
- Anyone with symptoms or who is identified as a close contact of a positive case **should** get PCR testing. Rapid antigen screening tests should **not** be used as a substitute for PCR tests for people with symptoms or for people who are close contacts of cases.

### Using the Take-Home Rapid Antigen Screening Kit:

- The BTNX Rapid Response™ can be performed using anterior nasal swabbing.
- Please follow the instructions provided with this letter.

### What to do after your test:

- You will know the outcome of the test within 15 minutes. If you or your child test negative, you should all continue to adhere to all relevant public health guidance, such as gathering limits, distancing, hand hygiene and masking.
- A positive result on a rapid antigen screening test is considered a preliminary positive. Anyone that receives a positive result on a rapid antigen screening test should seek a confirmatory PCR test as soon as possible (ideally within 48 hours) at a local testing site or pharmacy that offers testing and isolate themselves until the result of that confirmatory PCR test are known.

### Testing during the MBQ Holiday Closure:

- Covid-19 testing will be available to **all symptomatic/high risk exposure community members** December 28, 29 & 30th from 9-11am, no appointment necessary. Please bring your healthcard.
- All other testing required between December 24- January 2nd can be accessed through Belleville or Napanee's assessment centres.

## Testing Centre Contact Information

- Community Wellbeing Centre - 613-967-3603
- Belleville Assessment Centre- 613-966-5544
  - [qhc.on.ca/pre-register-for-covid-assessment-centre-bellevilletrenton-only.php](https://qhc.on.ca/pre-register-for-covid-assessment-centre-bellevilletrenton-only.php)
- Napanee Assessment Centre- 613-354-8254
  - <https://surveys.savienc.com/s/LACOVDPUBLIC/>
- Picton Assessment Centre- 613-813-6864